

SHAFT TYPE

OEK Model

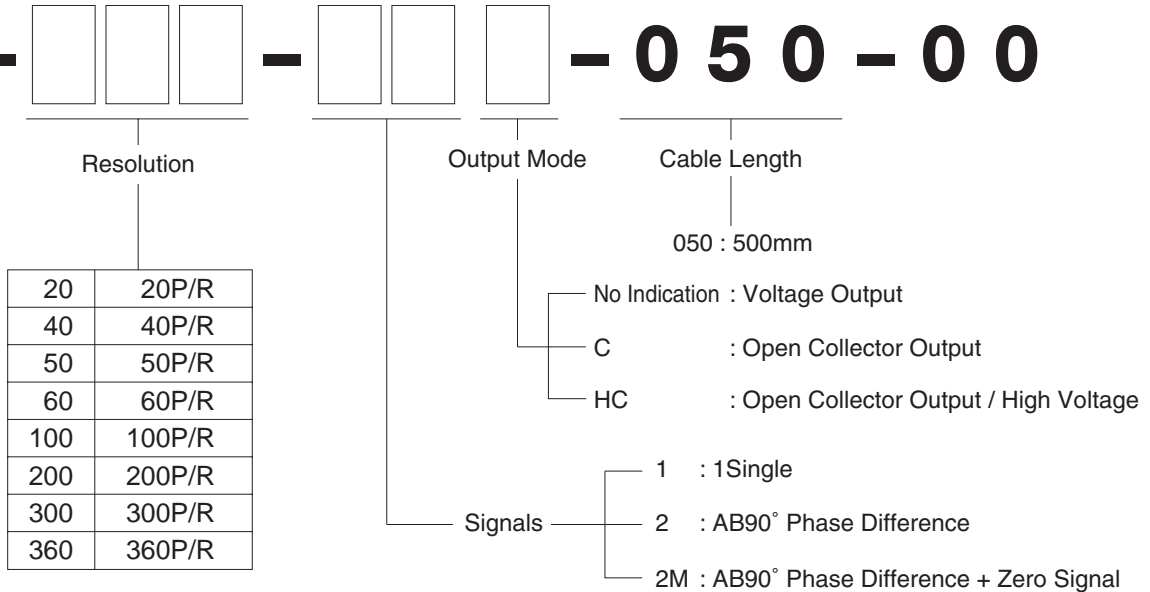


Low Pulses Model

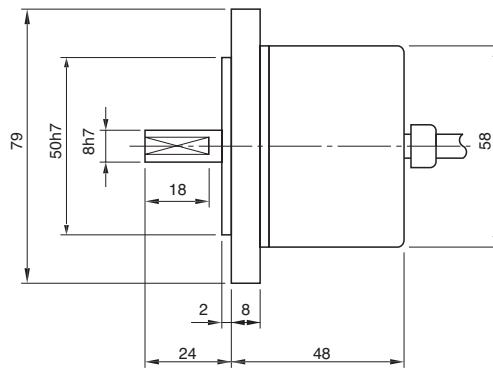
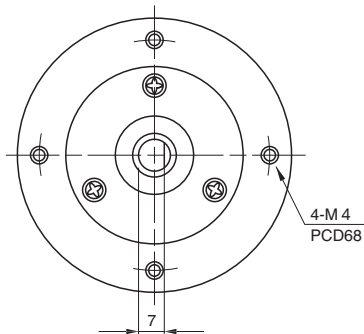
- Rugged flange type installation type encoder.
- Bearing Dripping-Resistant.

Model

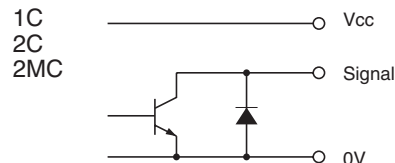
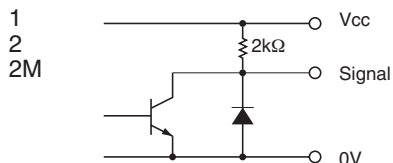
OEK - [] [] [] - [] [] [] - **050** - **000**



External Dimension



Circuit of Output Signal



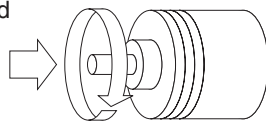
Electrical Spec.

TYPE		1	2	2M	1C	2C	2MC	1HC	2HC	2MHC	
Supply Voltage		DC4.5 ~ 13.2 V						DC10.8 ~ 26.4 V			
Requirement		80 mA Max				60 mA Max					
Output Voltage	“H”	Within -1 Power Volt				_____					
	“L” ※1							0.5 V Max			
Maximum Output Current								20 mA MAX			
Rise & Fall Time								1 μs Max			
Maximum Frequency Response								200 kHz			
Withstanding Voltage of Output Tr.		_____				50 V MAX.					

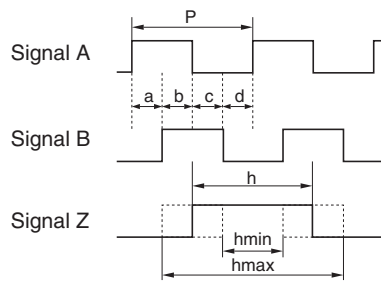
※1) at Maximum Output Current

Wave Form.

CW → Rotating Toward Clockwise Viewed from an Arrow



Rising point of A-Signal is always at one point while Z-Signal is at H-Level in CW.



$$P = \frac{1}{1\text{Resolution}}$$

$$\frac{P}{2} \leq h \leq \frac{3P}{2}$$

$$a, b, c, d = \frac{P}{4} \pm \frac{P}{8}$$

Wave Ratio (Duty); 50 ± 25 (%)

Electrical Connections

Color of Lead Wire	Description
Red	Power Source
Black	0V Common
Green or Blue	Signal A
White	Signal B
Yellow	Signal Z
Shielding Braid	NC

Mechanical Spec.

Starting Torque		19.6×10 ⁻³ N · m Max
Angular Acceleration		1×10 ⁵ rad/s ²
Shaft Loading	Thrust axial	29.4N
	Radial	49N
Moment of Inertia		4×10 ⁻⁶ kg · m ²
Maximum RPM		6000r/min
Net Weight		500g Max

Environmental Spec.

Operating Temperature	-10°C ~ +70°C
Storage Temperature	-30°C ~ +80°C
Humidity	RH 85% Max No Condensation
Vibration	10~55 Hz / 1.5mm 2 h
Shock	490m/s ² , 11ms X, Y, Z Each 3 times
Degree of Protection	IP50